

# COLOUR LINE<sup>®</sup>

The powerful press range in four colours

Manual Presses



- Brings colour to your production process
- All models available in four colours: Press head in blue, yellow, white or red
- Base frame black
- Practical colour coding system

Precision made in Germany

# Toggle Presses

COLOURLINE®

**5 year**  
warranty\*  
Typical long-term mäder quality

CL 500 K



**CL 500 K**  
5,0 kN

CL 750 K



**CL 750 K**  
7,5 kN

CL 1200 K

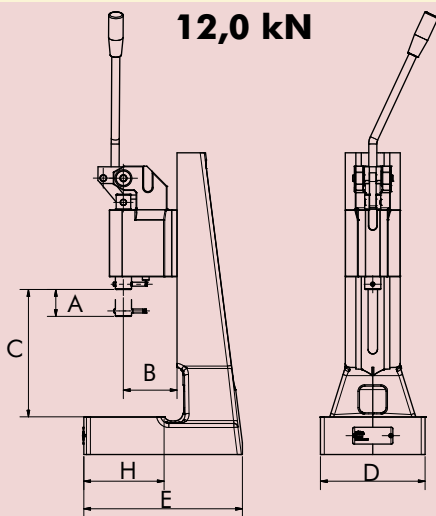
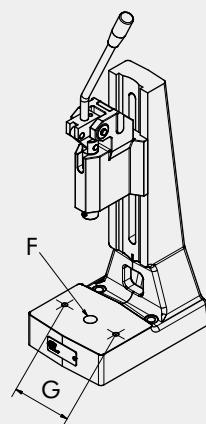


**CL 1200 K**  
12,0 kN

Toggle presses only produce their full force 1 mm before the end of the stroke.

### The advantages:

- **High output power** with moderate input force
- **Ergonomically angled hand lever**
- **Accuracy** thanks to precise ram guidance
- **Accurately machined press table** with 2 tool-fixing threads
- **Highly versatile table bore**



Ideal for rational assembly, embossing, punching, riveting, bending and forming.

Type			CL 500 K	CL 750 K	CL 1200 K
Capacity	kN		5,0	7,5	12,0
Working stroke	mm	A	40	40	44
Throat	mm	B	63	80	80
Daylight	mm	C	45-220	50-260	53-230
Table size	mm	DxH	110x60	157x115	157x115
Table bore Ø	mm	F	20	20	20
Fixing holes			2 x M 8	2 x M 10	2 x M 10
Hole pitch	mm	G	66	108	108
Ram bore Ø x Depth	mm		10 <sup>H7</sup> x 25	10 <sup>H7</sup> x 25	10 <sup>H7</sup> x 30
Ram Ø			20	24	30
Required space	mm	DxE	110x160	157x237	157x237
Weight	ca. kg		8,5	21	24



CAD data available on request.

\* When used appropriately  
Excludes wearing parts (springs)

[www.colourline-pressen.de](http://www.colourline-pressen.de)

Rack and pinion presses transmit manual force constantly over the whole stroke.

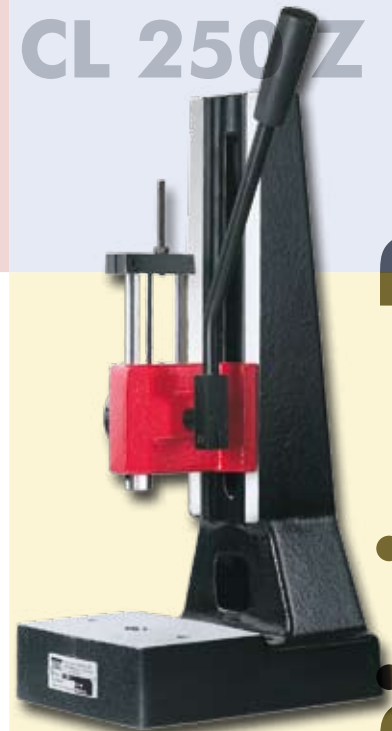
**The advantages:**

- **Fine control** thanks to direct transmission
- **Stroke depth adjustable** by set screw
- **Ergonomic**, thanks to adjustable hand lever
- **Accurately machined press table** with 2 tool-fixing threads
- **Highly versatile table bore**

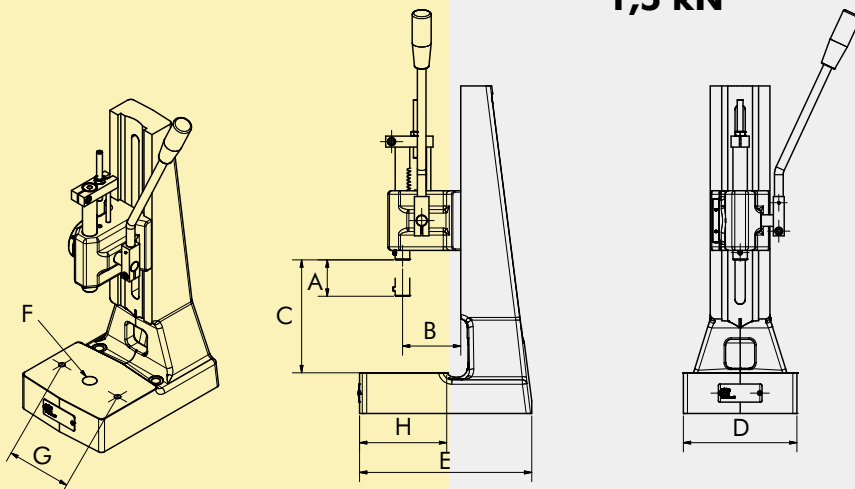
Ideal for delicate pressing and bending work.



**CL 150 Z**  
1,5 kN



**CL 250 Z**  
2,5 kN



Type			CL 150 Z	CL 250 Z
Capacity	kN		1,5	2,5
Working stroke	mm	A	40	50
Throat	mm	B	63	80
Daylight	mm	C	50-240	45-295
Table size	mm	DxH	110x60	157x115
Table bore Ø	mm	F	20	20
Fixing holes	mm		2 x M 8	2 x M 10
Hole pitch	mm	G	66	108
Ram bore Ø x Depth	mm		10 <sup>H7</sup> x 25	10 <sup>H7</sup> x 25
Ram Ø	mm		20	20
Required space	mm	DxE	110x160	157x237
Weight	ca. kg		7,5	20,5

CAD data available on request.



**Rack and Pinion Presses**



www.colourline-pressen.de



# COLOUR LINE®

The powerful press range in four colours

**mäder pressen GmbH**

Robert-Bosch-Str. 13

78579 Neuhausen ob Eck

Germany

Tel.: +49 (0) 74 67 - 94 67 - 0

Fax: +49 (0) 74 67 - 94 67 - 50

info@colourline-pressen.de

www.colourline-pressen.de



Precision made in Germany